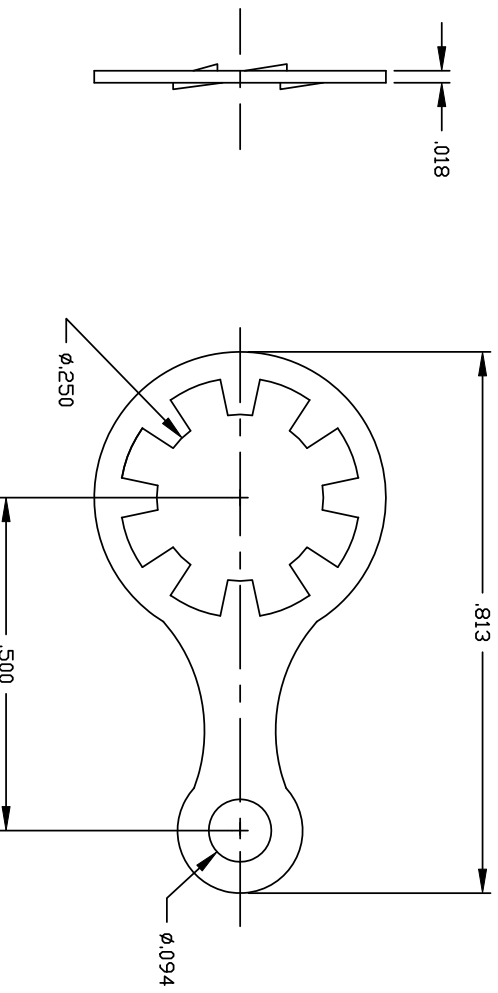


REVISIONS		REVISED BY	DATE	APPR
SYM	DESCRIPTION			



MATERIAL BRASS 260 1/2 HARD		FINISH	TIN
DIMENSIONAL TOLERANCES UNLESS OTHERWISE SPECIFIED		TITLE	
.XX	.XXX	1410-14	
---	----	SOLDER	
FRACTIONS	ANGLES	LUG	
---	---	SCALE	5X
HEAT TREAT	---	DRAWN: T. LORD	DATE: 1/13/09
PLT SCALE: 1=1	---	CHECKED: T. LORD	DATE: 1/13/09
		APPROVED: T. LORD	DATE: 1/13/09
ABBATRON		SIZE	DRAWING NUMBER
Electronic Connectors and Hardware		B	SD: 1410-14
13680 S. MOSIERTOWN RD			ISSUE
MEADVILLE, PA 16335			---